

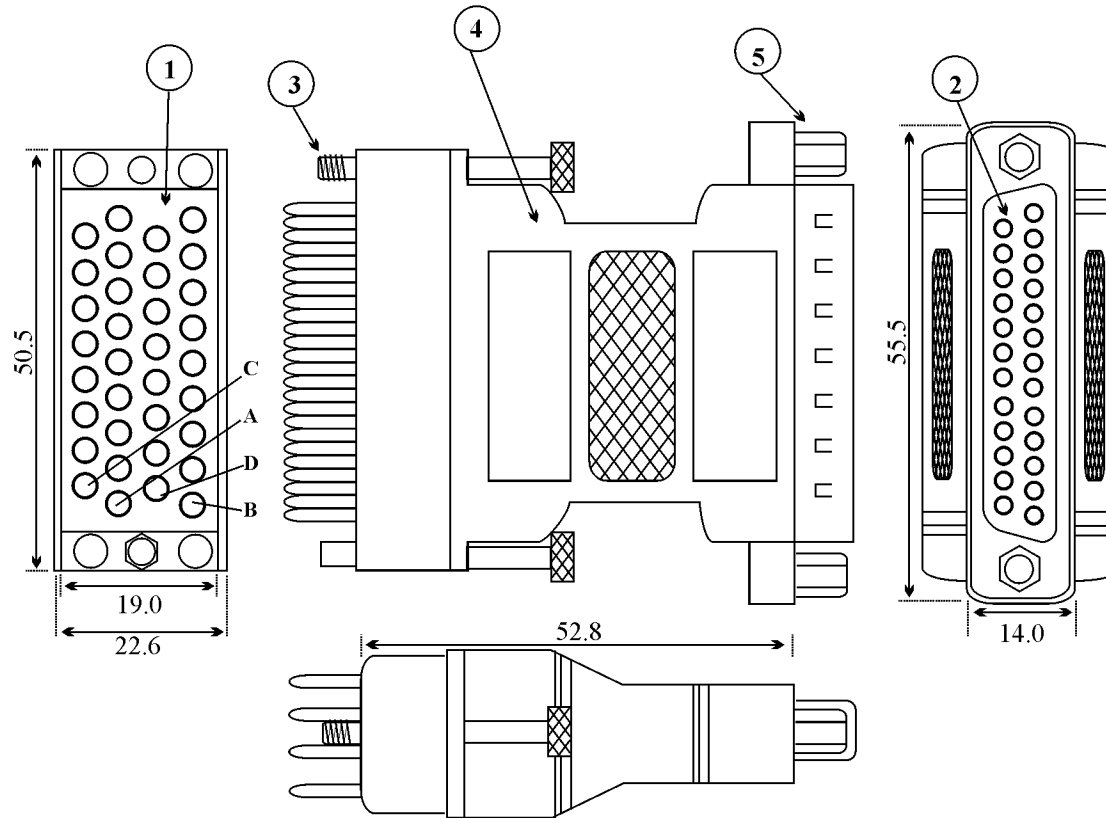
NOTES:

NO. Description

- 1 Connector, V.35 Male
- 2 Connector, D-Subminiature 25 Female
- 3 Screw Hardware, 6-32 UNC Thread
- 4 PVC Out-Layer Molding
- 5 Nut, 4-40 UNC Thread
- 6 Ground, Metal Shell

Do not Scale Drawings

Description:		Adaptor, V35 Male / D-Sub 25 Female	
Approvals	Date	<p style="text-align: center;">Phyco 1740-A Junction Ave. San Jose, CA 95112</p> <p style="text-align: center;">Drawing#</p> <p style="text-align: center;">V.35-330A</p> <p style="text-align: center;">Ref#</p>	
Drawn MAC	1/06 2002		
Checked			
Issued			

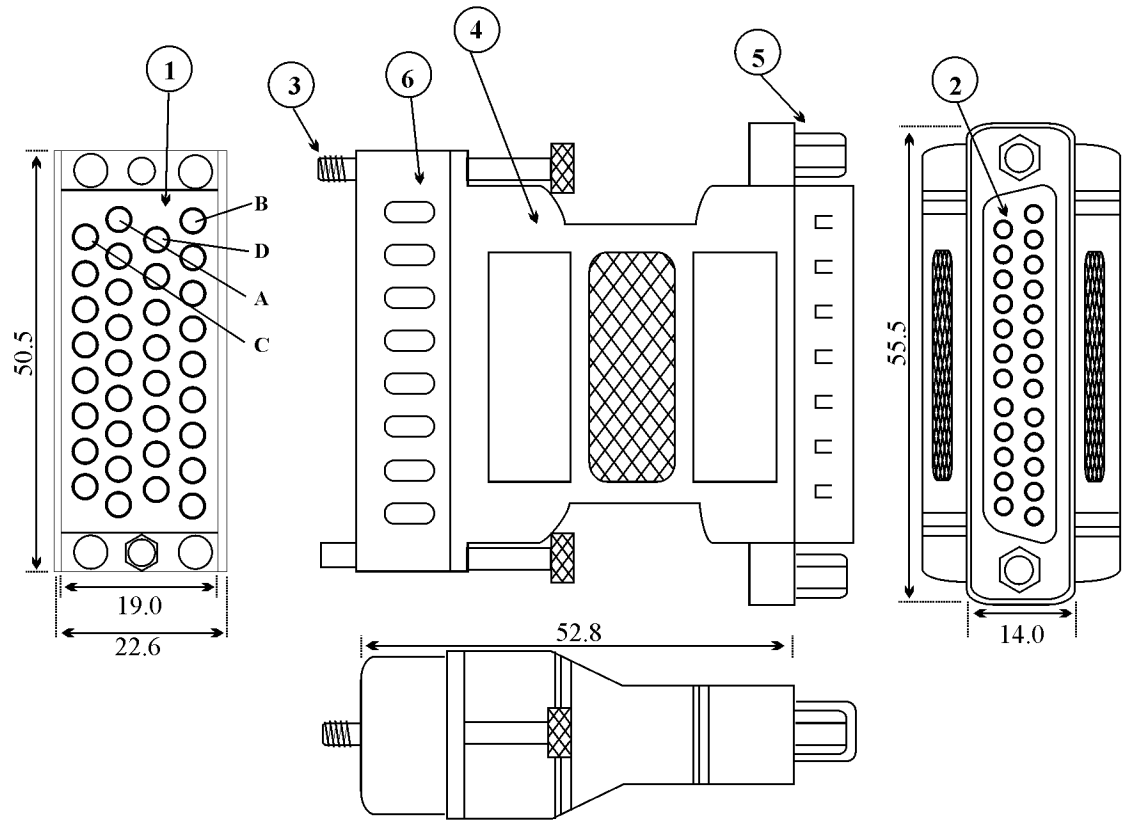


NOTES:

NO.	Description
1	Connector, V.35 Male
2	Connector, D-Subminiature 25 Male
3	Screw Hardware, 6-32 UNC Thread
4	PVC Out-Layer Molding
5	Nut, 4-40 UNC Thread

Do not Scale Drawings

Description:		Adaptor, V35 Male / D-Sub 25 Male	
Approvals	Date	<p style="text-align: center;">Phyco 1740-A Junction Ave. San Jose, CA 95112</p>	
Drawn MAC	1/06 2002		
Checked			
Issued			
		Drawing#	
		<p>V.35-330B</p> Ref#	



NOTES:

NO.	Description
1	Connector, V.35 Female
2	Connector, D-Subminiature 25 Male
3	Screw Hardware, 6-32 UNC Thread
4	PVC Out-Layer Molding
5	Nut, 4-40 UNC Thread
6	Ground, Metal Shell

Do not Scale Drawings

Description:		Adaptor, V35 Female / D-Sub 25 Male	
Approvals	Date	<p style="text-align: center;">Phyco 1740-A Junction Ave. San Jose, CA 95112</p>	
Drawn MAC	1/06 2002		
Checked			
Issued			
		Drawing#	
		<p>V.35-330C</p> <p>Ref#</p>	