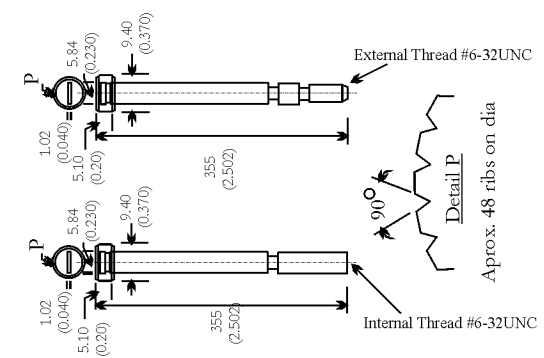
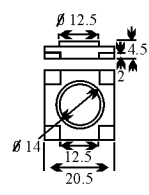
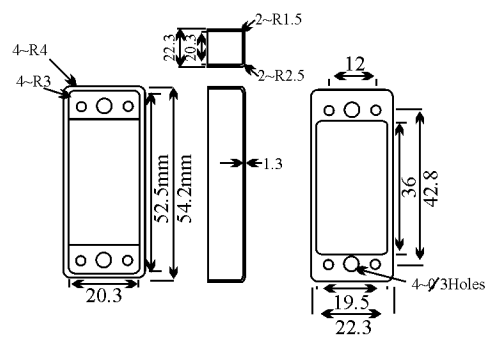
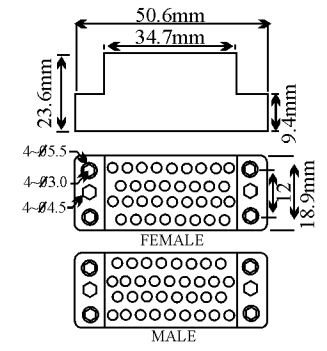
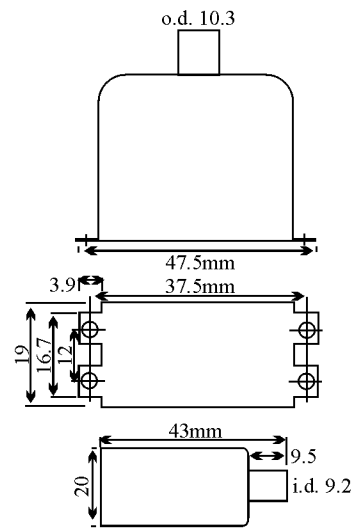
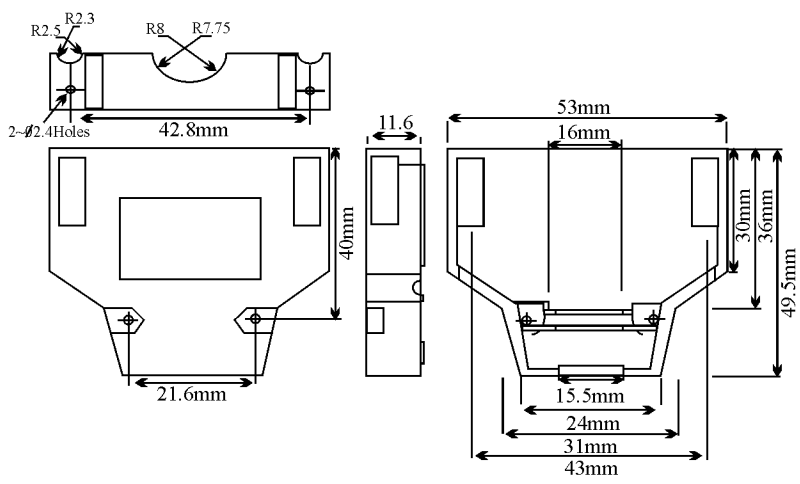


Rev	Description	Revisions	Date	Approved
-----	-------------	-----------	------	----------



Notes:

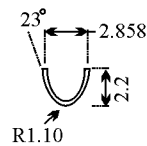
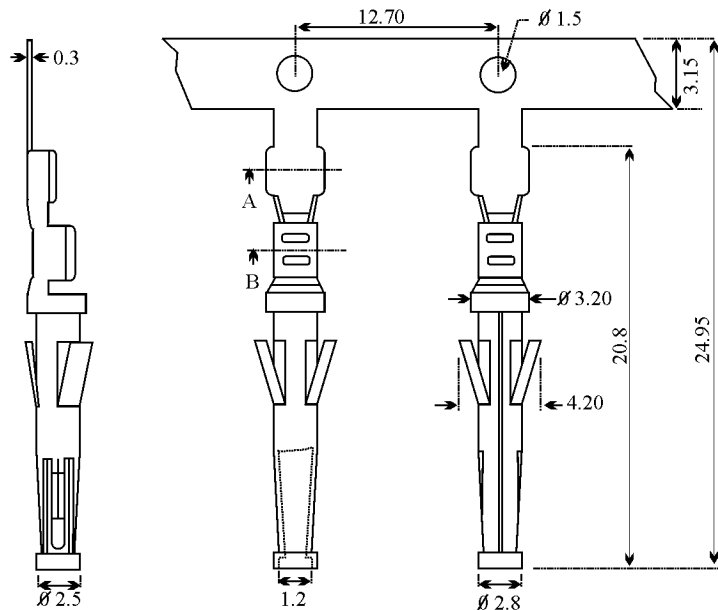
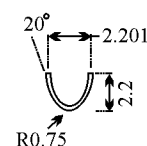
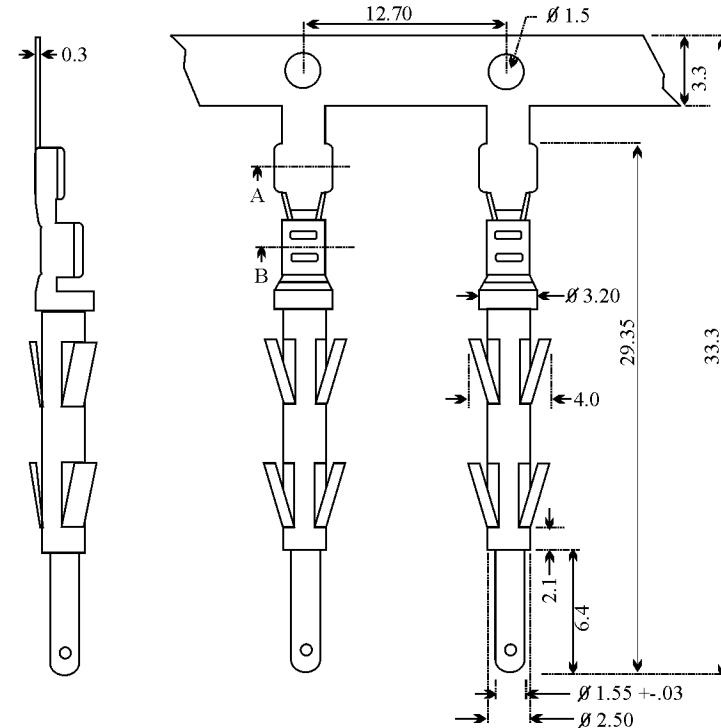
Insulator Flammability - UL94V-0

Crimp Contacts Accept 24-28AWG wire

Hood Hardware Included

Do not Scale Drawings

Description:		V.35 Kit Assembly	
Approvals	Date	Phyco 1740-A Junction Ave. San Jose, CA 95112 V.35-100M & F Ref#	
Drawn	6/13		
MAC	2002		
Checked			
Issued		Drawing#	

FEMALE**A-A SEC.****B-B SEC.****MALE****NOTES:****Mechanical:****Contact:**

Male ~ Brass

Female ~ Phosphor Bronze

Contact Plating ~ 2-3u" over Nickel

Wire Size: 24 or 26 AWG

Electrical:

Current Rating ~ 7 Amp

Contact Resistance ~ 10mohm MAX (Mated)

Terminal

Do not Scale Drawings

Description:

V.35 Contacts

Approvals	Date
Drawn MAC	01/07 2002
Checked	
Issued	

Phyco
1740-A Junction Ave.
San Jose, CA 95112

Drawing#

V.35-399-X
(X = Gender {M}ale or {F}emale)