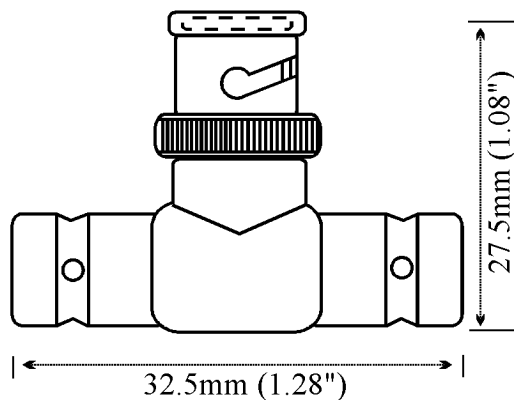
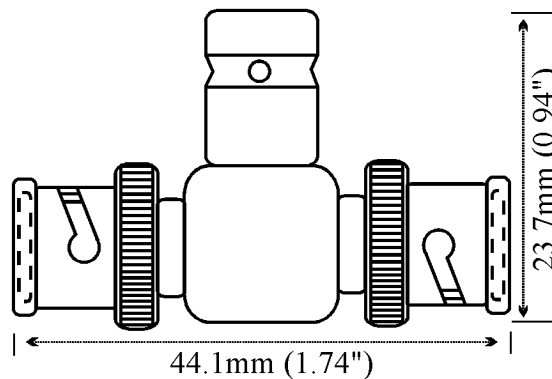
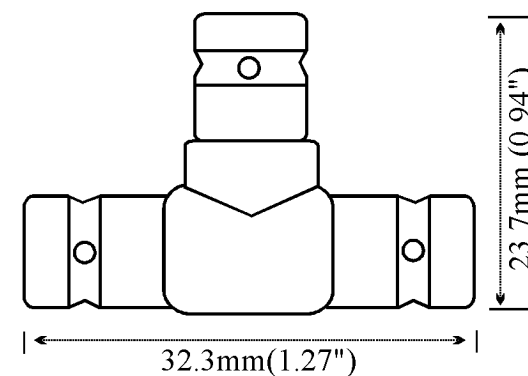


TB-077 (F/M/F)**TB-079 (M/F/M)****TB-080 (F/F/F)****Specifications**

Material:

Contact: Male- Gold over Brass
 Female- Gold over Beryllium Copper
 or Phosphor Bronze

Body: Bright Tin over Brass

Insulator: Glass TFE

Electrical:

Impedance: 50 ohm nominal

Frequency Range: 0-4 GHz w/low reflection
 usable to 11 GHz

Voltage Rating: 500 volts peak

VSWR: 1.3 max 0-4 Ghz

Op Temp: -55 c to +199 c

*RoHS Compliant
 as of 02/07/2006*

Description:**BNC "T" Adaptor**

| | |
|--------------|--------------|
| Approvals | Date |
| Drawn MAC | 3/08 2000 |
| Checked | |
| Issued | |

Phyco**1740-A Junction Ave.****San Jose, CA 95118**

Drawing#

TB-077 / TB-079 / TB-080

Ref#

Do not Scale Drawings

PHYco

1740-A Junction Ave
San Jose, CA 95112

Ph. 408-573-9044

Fax. 408-573-9045

February 07, 2006

PHYCO/JM, Inc.

CERTIFICATE OF COMPLIANCE- RoHS Declaration

For the following Series No's.

TB

Imported By:
Phyco/JM, Inc
1740-A Junction Ave
San Jose, CA 95112

This is to certify that all components used in the above listed Phyco Series' are RoHS compliant and meet the requirements of the current RoHS Directive 2002/95/EC and do not contain above the specified limits of any of the below listed banned substances.

- | | |
|--|-----------------------|
| * Lead | * Hexavalent Chromium |
| * Polybrominated Biphenyls (PBB) | * Mercury |
| * Polybrominated Diphenylethers (PBDE) | * Cadmium |



Jennifer Mahoney
Product Compliance Manager
Phyco/JM, Inc.
408-573-9044
jpapaleo@phyco.com