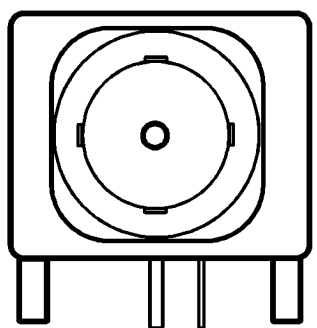
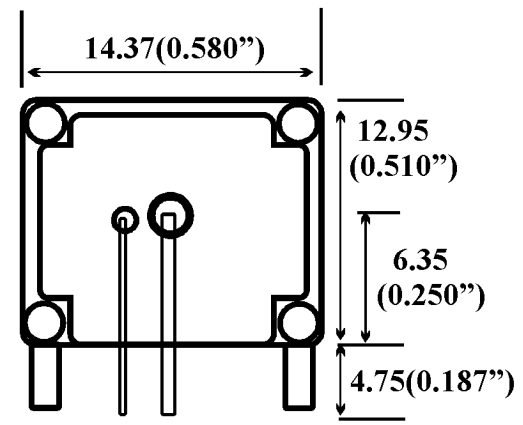
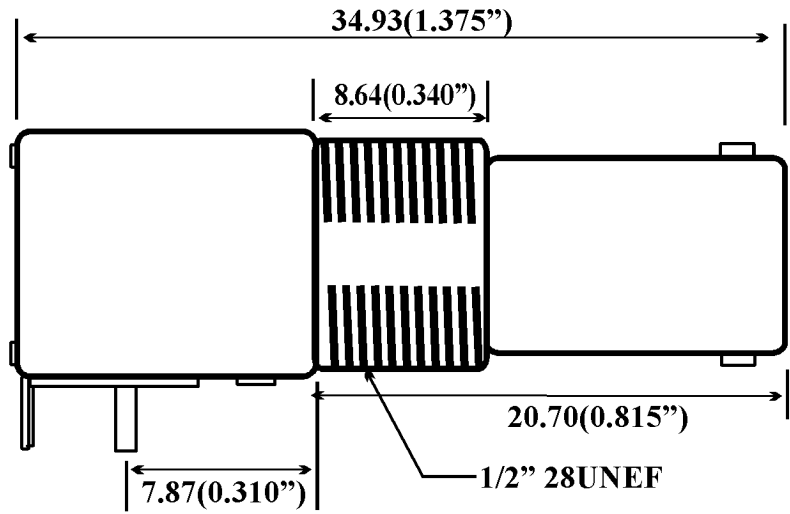
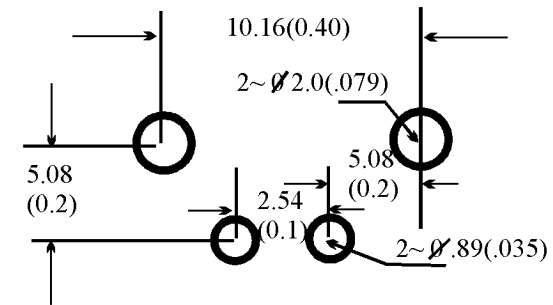


		Revisions	
Rev	Description	Date	Approved



*RoHS Compliant
as of 02/07/2006*



PCB LAYOUT

Specifications

- Frequency Range: 0-4 / 0-2 Ghz
- Voltage Rating: 1500 Volts peak
- VSWR: 1.3 max. 0-4 Ghz
- Contact Resistance: Center Contact- 1.5 Mohms
Outer Contact- 1.0 Mohms
- Impedance Rating: 50 ohms
- Body Material: Valox or Die Cast

Do not Scale Drawings

Description:		BNC, Low-Profile, RtL, 50Ohm	
Approvals	Date	Phyco 1740-A Junction Ave. San Jose, CA 95112 Drawing# TB-044LP & TB-044M Ref#	
Drawn			
Checked			
Issued			

PHYco

1740-A Junction Ave
San Jose, CA 95112

Ph. 408-573-9044

Fax. 408-573-9045

February 07, 2006

PHYCO/JM, Inc.

CERTIFICATE OF COMPLIANCE- RoHS Declaration

For the following Series No's.

TB

Imported By:
Phyco/JM, Inc
1740-A Junction Ave
San Jose, CA 95112

This is to certify that all components used in the above listed Phyco Series' are RoHS compliant and meet the requirements of the current RoHS Directive 2002/95/EC and do not contain above the specified limits of any of the below listed banned substances.

- | | |
|--|-----------------------|
| * Lead | * Hexavalent Chromium |
| * Polybrominated Biphenyls (PBB) | * Mercury |
| * Polybrominated Diphenylethers (PBDE) | * Cadmium |



Jennifer Mahoney
Product Compliance Manager
Phyco/JM, Inc.
408-573-9044
jpapaleo@phyco.com