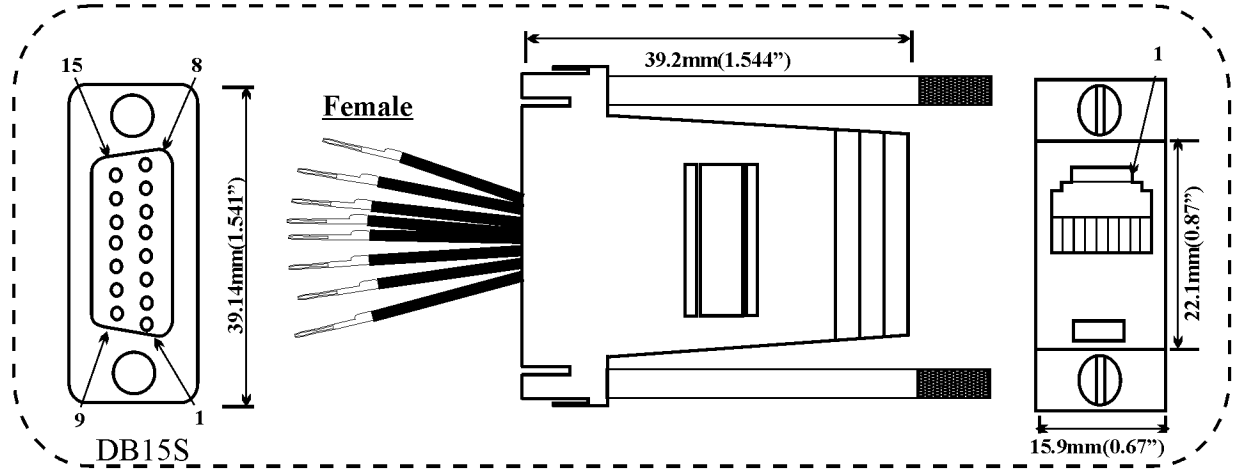


Color Codes	
8 wire	6 wire
1. Blue	1. White
2. Orange	2. Black
3. Black	3. Red
4. Red	4. Green
5. Green	5. Yellow
6. Yellow	6. Blue
7. Brown	
8. Grey	



Notes:

- Materials: Shell- ABS Plastic (UL94V-0)
- Color- IBM Ash
- Connector(1)- D15, tin plated steel
- Contact- Phosphor Bronze
- Plating- Gold over Nickel
- Connector(2)- RJ Jack (8pos or 6pos)
- Contact- Phosphor Bronze
- Plating- Gold over Nickel

*Also Available in Black, Blue, Green, Red, Yellow, White & Metalized Plastic

Do not Scale Drawings

Description:		Modular Adapter, Dsub15 to RJ Jack Phyco 1740-A Junction Ave. San Jose, CA 95112
Approvals	Date	
Drawn MAC	06/15 1998	
Checked		
Issued		Drawing# <h1 style="text-align: center;">2007-Y(X)</h1> <p style="text-align: center;">(Y = size of jack, X= (M)ale / (F)emale d-sub)</p>