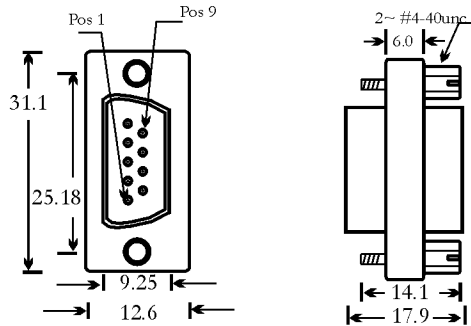
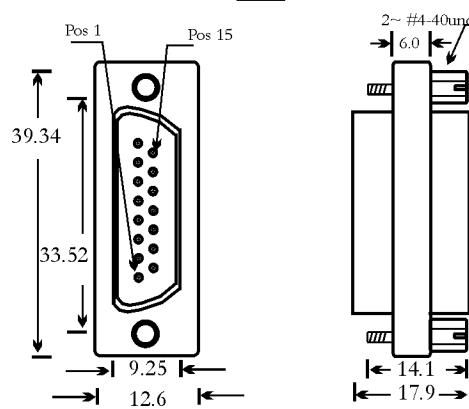


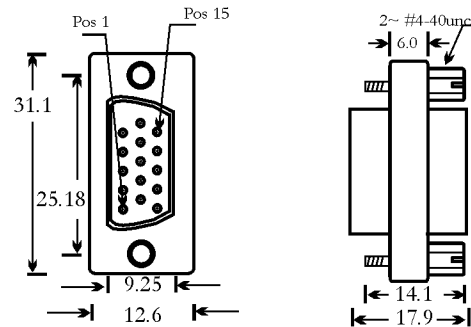
601



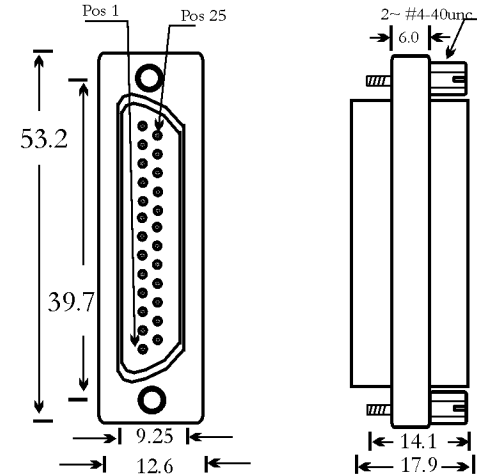
602



609



603



Specifications

- Voltage-** 300 vac
- Current Rating-** 5 am continuous
- Dielectric Strength-** 1000 vac
- Contact Resistance-** 1o mOhm max 1 ADC
- Insul Resistance-** 5000 mOhm min
- Durability-** 30 cycles for Gold Flash
150 cycles for 15u" Gold Plate
- Mating Force-** Insertion; 1oz to 16oz
Average; 150g
Extraction Force; 1kg min

Do not Scale Drawings

Description:		Gender Changer, Slim Line (PortSaver)	
Approvals	Date	Phyco 1740-A Junction Ave. San Jose, CA 95112	
Drawn	3/10		
MAC	1998		
Checked			
Issued		Drawing#	
		601/602/603/604/609 - (XX) (9) (15) (25) (37) (H15) (M/F male/female)	