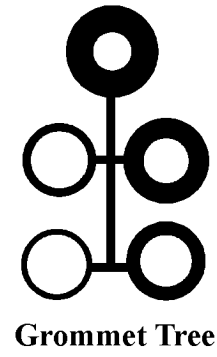
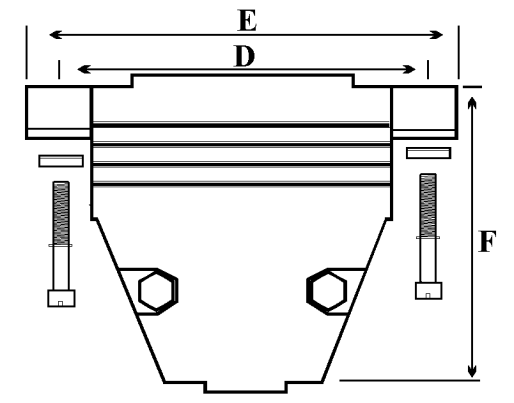
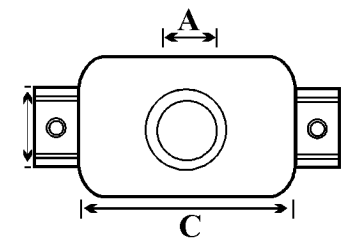
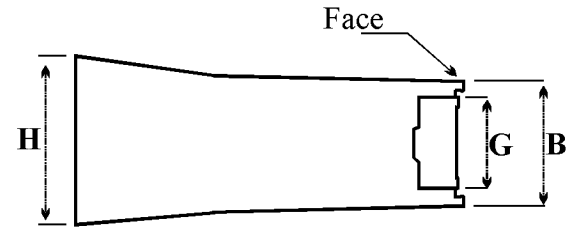


Rev	Description	Revisions	Date	Approved
A	Added side View & Dim.		08/31/06	



Grommet Tree

*RoHS Compliant
as of 12/22/05*

Hood Size	A	B	C	D	E	F	G	H
9	0 10.1	16.5	19.7	25.1	31.1	49.9	12.1	14.4
15	0 10.1	15.6	27.8	32.8	39.8	44.5	12.1	15.8
25	0 11.9	15.8	41.2	47.5	53.1	44.4	12.1	16.1
37	0 15.6	15.8	57.5	62.4	69.1	42.5	12.1	20.7
50	0 15.9	18.4	55.4	60.2	66.7	42.5	14.9	23.0

Notes:

Hood: Die-Cast

Hardware: Steel with Nickel plating

Do not Scale Drawings

Description:		D-Subminiature Hood (Backshell) - Metalized w/grommet	
Approvals	Date	Phyco 1740-A Junction Ave. San Jose, CA 95112 Drawing# 3103-(XX) (XX=Shell Size (9, 15, 25, 37, 50))	
Drawn	3/10		
MAC	1999		
Checked			
Issued			

PHYco

1740-A Junction Ave
San Jose, CA 95112

Ph. 408-573-9044

Fax. 408-573-9045

December, 2005

PHYCO/JM, Inc.

CERTIFICATE OF COMPLIANCE- RoHS Declaration

For the following Series No's.

3001
3002
3100
3103
3200
3203

Imported By:
Phyco/JM, Inc
1740-A Junction Ave
San Jose, CA 95112

This is to certify that all components used in the above listed Phyco Series' are RoHS compliant and meet the requirements of the current RoHS Directive 2002/95/EC and do not contain above the specified limits of any of the below listed banned substances.

- | | |
|--|-----------------------|
| * Lead | * Hexavalent Chromium |
| * Polybrominated Biphenyls (PBB) | * Mercury |
| * Polybrominated Diphenylethers (PBDE) | * Cadmium |



Jennifer Mahoney
Product Compliance Manager
Phyco/JM, Inc.
408-573-9044
jpapaleo@phyco.com