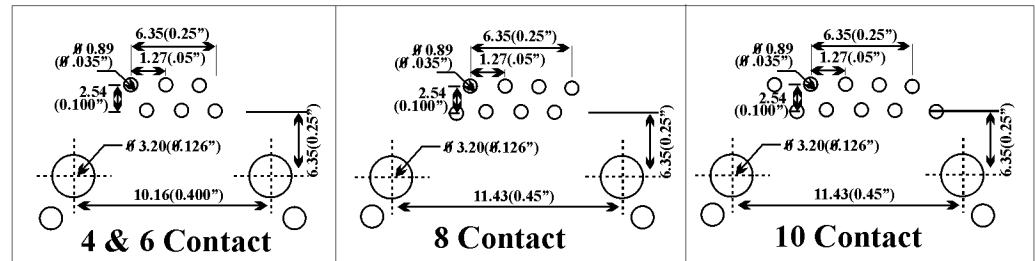


	A	B
153U-4NP	13.34 (.525")	10.16 (0.40")
153U-6NP	13.34 (.525")	10.16 (0.40")
153U-8NP	15.20 (.598")	11.43 (0.45")
153U-10NP	16.10 (.634")	11.43 (0.45")



Notes:

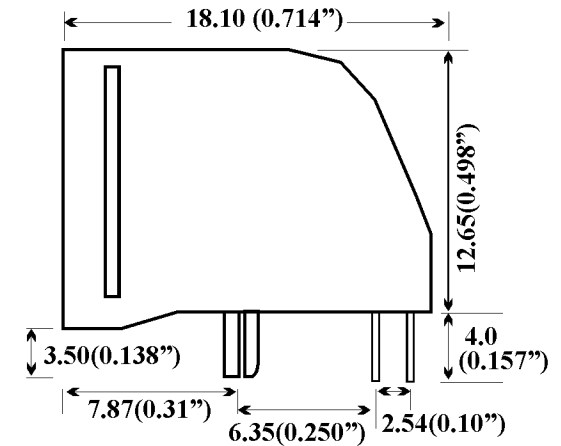
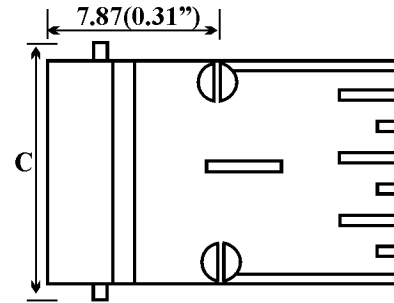
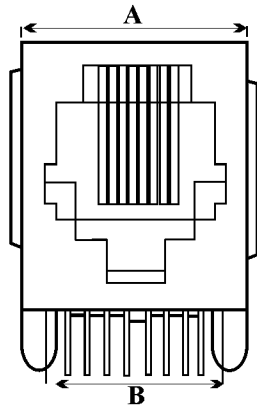
Material: Housing- PBT Polyester, UL94V-0
 Standard Color- Black
 Terminal- Gold over Phosphor Bronze
 Cavity conforms to FCC Rules & Regulations Part 68,
 Subpart F
UL FILE # - E134970
FCC FILE #- E157380

Do not Scale Drawings

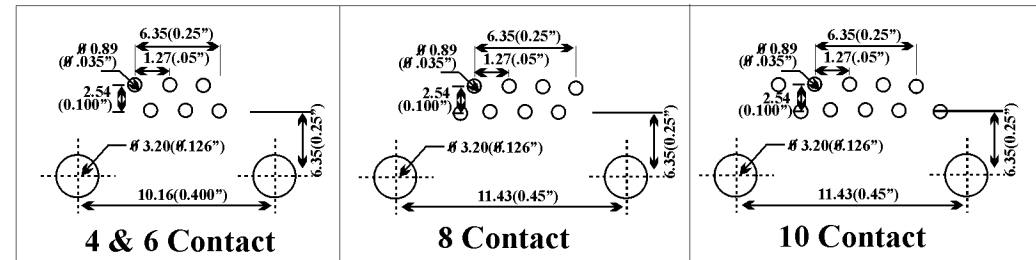
Description: **Non-flanged Side entry Modular Jack (0.498" height)**

Approvals	Date
Drawn	
Checked	
Issued	

Phyco
 1740-A Junction Ave.
 San Jose, CA 95112
 Drawing#
153U-(X)NP Series
 (X= 4 (6p4c), 6 (6p6c), 8 (8p8c) or 10 (10p10c))



	A	B	C
153U-4WP	13.34 (.525")	10.16 (0.40")	15.70 (0.618")
153U-6WP	13.34 (.525")	10.16 (0.40")	15.70 (0.618")
153U-8WP	15.20 (.598")	11.43 (0.45")	17.78 (0.70")
153U-10WP	16.10 (.634")	11.43 (0.45")	17.78 (0.70")

**Notes:**

Material: Housing- PBT Polyester, UL94V-0

Standard Color- Black

Terminal- Gold over Phosphor Bronze

Cavity conforms to FCC Rules & Regulations Part 68,

Subpart F

UL FILE # - E134970

FCC FILE #- E157380

Do not Scale Drawings

Description:

Flanged Side entry Modular Jack (0.498" height)

Approvals

Date

Drawn

Checked

Issued

Phyco

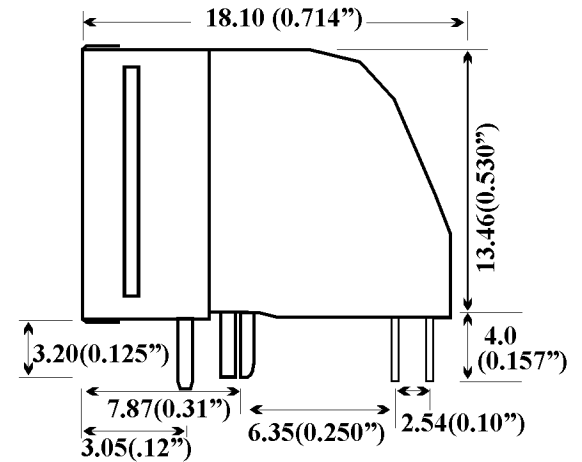
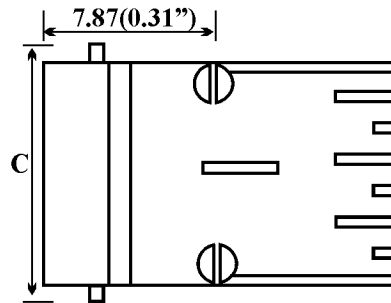
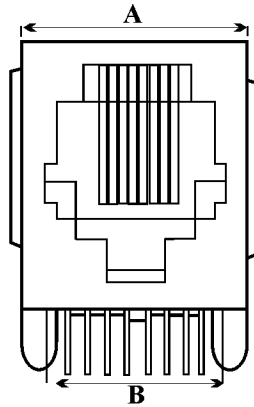
1740-A Junction Ave.

San Jose, CA 95112

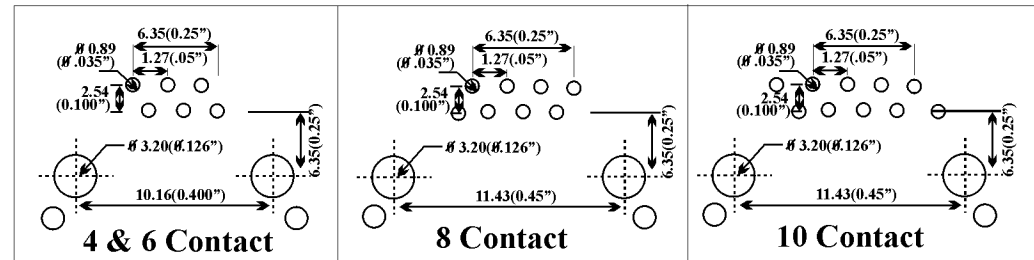
Drawing#

153U-(X)WP Series

(X= 4 (4p6c), 6 (6p6c), 8 (8p8c) or 10 (10p10c))



	A	B	C
153S-4WP	13.34 (.525")	10.16 (0.40")	15.70 (0.618")
153S-6WP	13.34 (.525")	10.16 (0.40")	15.70 (0.618")
153S-8WP	15.20 (.598")	11.43 (0.45")	17.78 (0.70")
153S-10WP	16.10 (.634")	11.43 (0.45")	18.40 (.724")

**Notes:**

Material: Housing- PBT Polyester, UL94V-0

Standard Color- Black

Terminal- Gold over Phosphor Bronze

Shield- .010(.25mm) thick Copper Alloy

Tin Plated

Cavity conforms to FCC Rules & Regulations Part 68,
Subpart F

UL FILE # - E134970

FCC FILE #- E157380

Do not Scale Drawings

Description:**Front Shielded, Flanged Side entry Modular Jack (0.498" height)**

Approvals	Date
Drawn	
Checked	
Issued	

Phyco

1740-A Junction Ave.

San Jose, CA 95112

Drawing#

153S-(X)WP Series

(X= 4 (4p6c), 6 (6p6c), 8 (8p8c) or 10 (10p10c))